

DN-109AT DN-119AT DN-129AT DN-189AT

Digits size of 57, 100, 250 or 180mm.
Thermometer: Pt100, Thermocouple J, K, and T
From 3 to 5 digits, 1 or 2 displaying sides.
Protection degree IP41 or IP65.



Application field

They are most often used to show temperature using Pt100 or thermocouple J, K or T probe. The displayed value may be in Centigrade or Fahrenheit degrees with resolution of 1 degree or 0,1 degree. It is also possible to modify the displayed value with the Offset parameter.

All equipment is factory completely calibrated with data stored in non erasable memory without use of adjustment potentiometers

Perfect viewing

The four big digit sizes available offer a great range of viewing distance, from 30 to 120m.

Colour option

Available for some models only. It lets you to choose the display colour depending on the input value. The valid colours are: Red, green and yellow.



Serial line option

The serial line option (RS-232C/RS-485) lets you to program or to read actual display value. The available parameters are: Baud rate, Parity, Data bits, Stop bits and Display address.

Dual relay output option

Two programmable relay output are available. Selectable HI or LO . Delay time or hysteresis

Option to display the measures unities

The measure unities can be permanently displayed: °C or °F using white vinyl or leds. Option leds only possible in models DN-109/AT and DN-119/AT.

Dimensions

Digits	3	4	5
--------	---	---	---

DN-109	High = 122mm	Depth = 120mm		
Width in mm	210	288	288	
Width + Text option	288	336	382	
DN-109/D (2 sides)	288	288	288	

DN-119	High = 177mm	Depth = 120mm		
Width in mm	324	414	504	
Width + Text option	504	594	684	

DN-129	High = 366mm	Depth = 120mm		
Width in mm	750	985	1220	
Width + Text option	1220	1455	1690	

DN-189	High = 251mm	Depth = 120mm		
Width in mm	500	660	820	
Width + Text option	820	980	1140	

General specifications

Power supply	100VAC to 240VAC 50/60Hz. Option 24VCC
Case material	Aluminum extruded
Mounting	Wall or suspension
Display	Color red or red/green/yellow
Frontal	Methacrylate
Back	PVC
Operating temperature	0° a 50°C

PROTECTION DEGREE

Protection degree	IP41	IP65	IP65
Luminosity	Indoor	Indoor	Outdoor
Models	DN-109/nSAT DN-109/nDAT	DN-109e/nSAT DN-109e/nDAT	DN-119eh/nSAT DN-119eh/nDAT
n= digits	DN-119/nSAT DN-119/nDAT DN-129/nSAT DN-129/nDAT DN-189/nSAT DN-189/nDAT	DN-119e/nSAT DN-119e/nDAT DN-189e/nSAT DN-189e/nDAT	DN-119eh/nSAT DN-119eh/nDAT DN-189eh/nSAT DN-189eh/nDAT

Analog / digital converter

A/D conversion technique	Sigma-Delta
A/D conversion resolution	16 bits
A/D conversion rate	25/ s

PROTECTION DEGREE - COLOUR

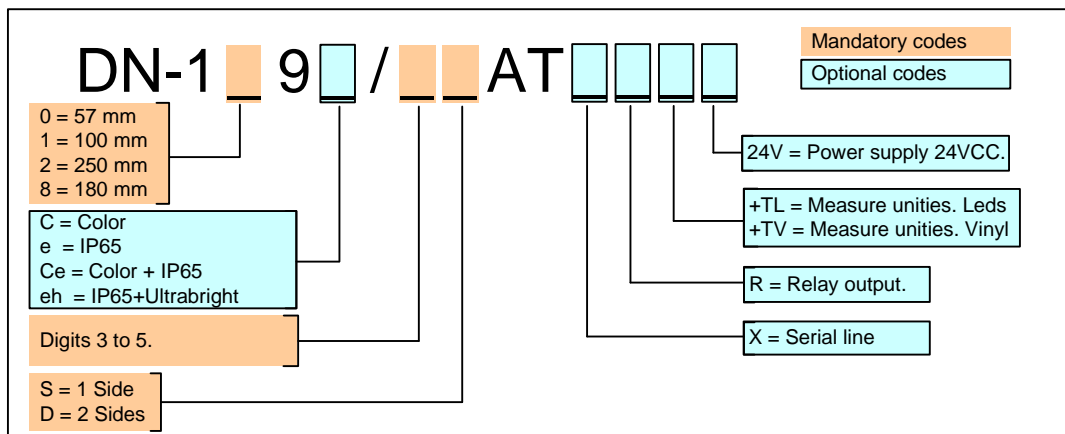
Protection degree	IP41	IP65
Luminosity	Indoor	Indoor
Models	DN-109C/nSAT DN-109C/nDAT	DN-109Ce/nSAT DN-109Ce/nDAT
n= digits	DN-119C/nSAT DN-119C/nDAT	DN-119Ce/nSAT DN-119Ce/nDAT

Display format

Digits	Resolutin	Pt100 °C	TC "J" °C	TC "K" °C	TC "T" °C	Overrange	Wire open
3	0.1°	-19.9 / +99.9	-19.9 / +99.9	-19.9 / +99.9	-19.9 / +99.9	-OE /OuE	E1
3	1°	-199 / +800	-50 / +760	-50 / +999	-160 / +400	-OE /OuE	
4	0.1°	-199.9 / +400.0	-50.0 / +760.0	-50.0 / +999.9	-160.0 / +400.0	-OuE /OuE	
4	1°	-199 / +800	-50 / +760	-50 / +1370	-160 / +400	-OuE /OuE	
5	0.1°	-200.0 / +400.0	-50.0 / +760.0	-50.0 / +1370.0	-160.0 / +400.0	-OuE /OuE	
5	1°	-200 / +800	-50 / +760	-50 / +1370	-160 / +400	-OuE /OuE	

Digits	Resolutin	Pt100 °F	TC "J" °F	TC "K" °F	TC "T" °F	Overrange	Wire open
3	0.1°	-19.9 / +99.9	-19.9 / +99.9	-19.9 / +99.9	-19.9 / +99.9	-OE /OuE	E1
3	1°	-199 / +999	-58 / +999	-58 / +999	-199 / +752	-OE /OuE	
4	0.1°	-199.9 / +752.0	-58.0 / +999.9	-58.0 / +999.9	-199.9 / +752.0	-OuE /OuE	
4	1°	-328 / +1472	-58 / +1400	-58 / +2498	-256 / +752	-OuE /OuE	
5	0.1°	-328.0 / +752.0	-58.0 / +1400.0	-58.0 / +2498.0	-256.0 / +752.0	-OuE /OuE	
5	1°	-328 / +1472	-58 / +1400	-58 / +2498	-256 / +752	-OuE /OuE	

Model reference



EXAMPLES:

DN-109/4DAT

Thermometer 4 digits display DN-109 of two sides.

DN-119e/5SAT+TL °C

Thermometer 5 digits display DN-119 of one side.
Text leds option. Text: °C.

DN-119Ce/3SAT

3 Digits, DN-119 series, one face.

Red/green/yellow colour display digits. Protection degree IP65.



DISEÑOS Y TECNOLOGÍA S.A.

C/Xarol 8-C P.I. Les Guixeres

08915 Badalona

Tel.933 394 758 / Fax. 934 903 145

Email: dtl@ditel.es / Web: www.ditel.es