

## DN-109P DN-119P DN-129P DN-189P

Digits of 57, 100, 250 or 180mm height.  
Multifunction: BCD, Counter, Tachometer, etc  
From 3 to 10 digits, 1 or 2 displaying sides.



### Perfect viewing.

All models are available in three sizes 57, 100, 250 and 180mm. It can be viewed from 30, 50, 120 and 90m.

### Applications

Easy to configure for wide range of applications. PNP, NPN or contact 12 a 24V CC inputs.  
Digital control from PLC, counter, tachometer, chronometer, timer and binary control.

**BCD Direct (3 digits)**  
**+ BCD multiplexed**  
**+ COUNTER**  
**+ TACHOMETER**  
**+ CHRONOMETER**  
**+ BINARY**

**= DN-109/P     Digits 57mm**  
**= DN-119/P     Digits 100mm**  
**= DN-129/P     Digits 250mm**  
**= DN-189/P     Digits 180mm**

### Colour option

Colour option is available on models DN-109 and DN-119. It allows to display colours red, green or yellow. Colour automatically changes according to display's value.



### Serial line option

The serial line RS-232 /RS-485 option is available on all models. The configurable parameters are: Baud rate, parity, data bits, stop bits and network address.

### Relay option

The 2 relays option is available on all models. Each relay has his set/reset level and delay or hysteresis adjustment.. The relay output may be programmed as one shot, blinking or continuous.

### Option to display the measure unities.

Several measure unities can be permanently displayed: Kg, Tm, °C, mV, m/s, l/s, or any other unity, as the consumer desires, up to three characters.

## Dimensions

Digits	2	3	4	5	6	7	8	9	10
--------	---	---	---	---	---	---	---	---	----

<b>DN-109</b>	<b>Height = 122mm</b>		<b>Depth = 120mm</b>						
Width in mm		210	288	288	336	382	430	478	526
Width + Option text in mm		288	336	382	430	478	526	574	622

<b>DN-119</b>	<b>Height = 175mm</b>		<b>Depth = 120mm</b>						
Width in mm		324	414	504	594	684	774	864	954
Width + Option text in mm		504	594	684	774	864	954	1044	1134

<b>DN-129</b>	<b>Height = 366mm</b>		<b>Depth = 120mm</b>						
Width in mm	515	750	985	1220	1455	1690	1925	2160	2395
Width + Option text in mm	985	1220	1455	1690	1925	2160	2395	2630	2865

<b>DN-189</b>	<b>Height = 251mm</b>		<b>Depth = 120mm</b>						
Width in mm	340	500	660	820	980	1140	1300	1460	1620
Width + Option text in mm	660	820	980	1140	1300	1460	1620	1780	1940

**GENERAL SPECIFICATIONS**

	DN-109	DN-119	DN-129	DN-189
Numeric display Height	57mm	100mm	250mm	180mm
Unity of mesures text Height (optional)	45mm	60mm	200mm	vinyl only
Viewing	30 meters	50 meters	120 meters	90 meters
Characters distribution	0 a 9, A,B,C,D [space]			
Maximum environmental lighting	1000 lux			
Maximum environmental lighting. Models (eh)	No applicable	Outdoor	No applicable	Outdoor
Colour. Red/Green/Yellow	Applicable	Applicable	No applicable	No applicable
Power supply	100VAC to 240VAC 50/60Hz . Option 24VCC			
Nº of displaying sides	One or two			
Box	Aluminium extruded			
Assembly by lateral supports	Wall or suspension mounting			
Digital inputs	14 PNP, NPN or contact inputs from 12 to 26Vcc.			
Parameter programming	By pushbuttons			
Options	Two outputs relay.			

**FUNCTIONS**

Multiplexed BCD	9 bits. From 3 to 10 digits models.
Direct BCD	14 bits. Only 3 digits DN-109/119 and 2 or 3 digits in DN-129/189 models
Counter	Multiplier and divisor. Maximum frequency 10kHz
Tachometer	Display value adjustable. Maximum frequency 15kHz
Chronometer	Hour and minutes or Minutes and seconds
Binary	14 bits. From 0 to 16383

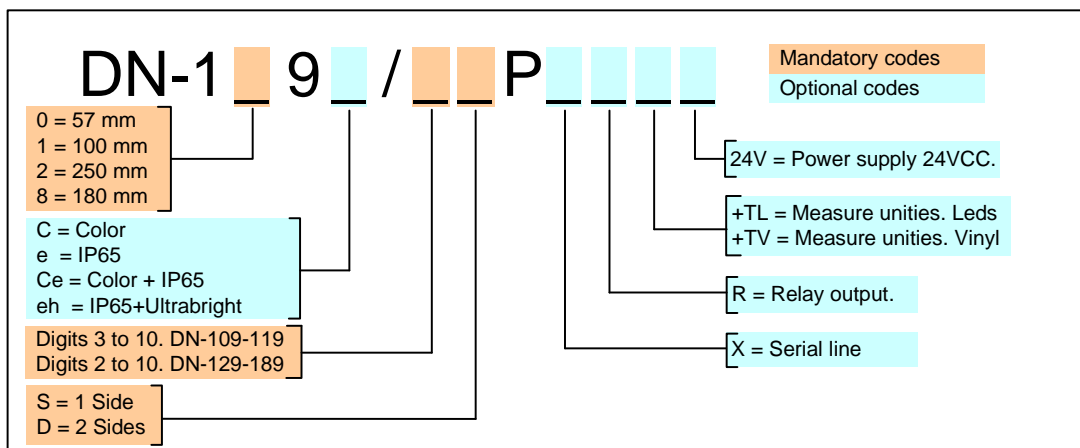
**PROTECTION DEGREE**

Protection degree	IP41	IP65	IP65
Luminosity	Indoor	Indoor	Outdoor
Models	DN-109/nSP DN-109/nDP	DN-109e/nSP DN-109e/nDP	DN-119eh/nSP DN-119eh/nDP
n= digits	DN-119/nSP DN-119/nDP DN-129/nSP DN-129/nDP DN-189/nSP DN-189/Ndp	DN-119e/nSP DN-119e/nDP DN-189e/NP DN-189e/NP	DN-119eh/nSP DN-119eh/nDP DN-189eh/NP DN-189eh/NP

**PROTECTION DEGREE - COLOUR**

Protection degree	IP41	IP65
Luminosity	Indoor	Indoor
Models	DN-109C/nSP DN-109C/nDP	DN-109Ce/nSP DN-109Ce/nDP
n= digits	DN-119C/nSP DN-119C/nDP	DN-119Ce/nSP DN-119Ce/nDP

**Part number (Details)**



**EXAMPLES:**

**DN-109/4DP**

4 digits, DN-109 series display, two faces.

**DN-119e/5SPR+TL rpm**

5 digits, DN-119 series display, one face. Relay option.  
Text option: rpm.  
Protection degree IP65.

30738122B 30-06-09

**DN-119Ce/6SP**

6 Digits, DN-119 series, one face.  
Red/green/yellow colour display digits. Protection degree IP65.



**DISEÑOS Y TECNOLOGÍA S.A.**  
C/Xarol 8-C P.I. Les Guixeres  
08915 Badalona  
Tel.933 394 758 / Fax. 934 903 145  
Email: dtl@ditel.es / Web: www.ditel.es