

SERIES
DT-203NE
DT-105NE
DT-106NE
DT-110NE
DT-111NE



DT-105/2SNE

Message display from 1 to 8 lines of 6, 13 or 20 characters.
 Characters of **30, 50 or 100mm** in height.
 One or two display sides.
 Control Ethernet, TCP/IP, UDP and Modbus/TCP

Characteristics

Message display designed to be used in industrial environment.
 Real time clock: Seconds / Minutes / Hours / Days / Month / Year. It is adjustable by two push buttons. The clock is NiMH battery backup, which lasts approximately one month.
 Connector RJ-45
 Option: Relative humidity and temperature sensor.

Perfect visibility

DT-203, DT-105 and DT-110 are big size displays. Red led colour display of 30, 50 or 100mm character in height. These features make them readable in almost any light environment from up to 15m(DT-203), 25m(DT-105) or 50m(DT-110). They are available in one or two displaying sides and from 1 to 8 lines.

Applications

The display of any message from a PC, production rates, Scada software (LabView), alphanumeric readouts.
 The display of any data from a PLC: Temperature, engine RPM, alarm messages.

Message edition

Editing and saving messages on the display.

Messages are edited by PC with the TDL software. Applications in which the display receive the complete message by the Ethernet serial line you may store only de message 0, because message 0 is used at the display start up.

Recording messages.

Messages edited by PC are sent to display by Ethernet serial line and the remain saved in a Eeprom memory. Batteries are not needed for message maintenance.

Operation

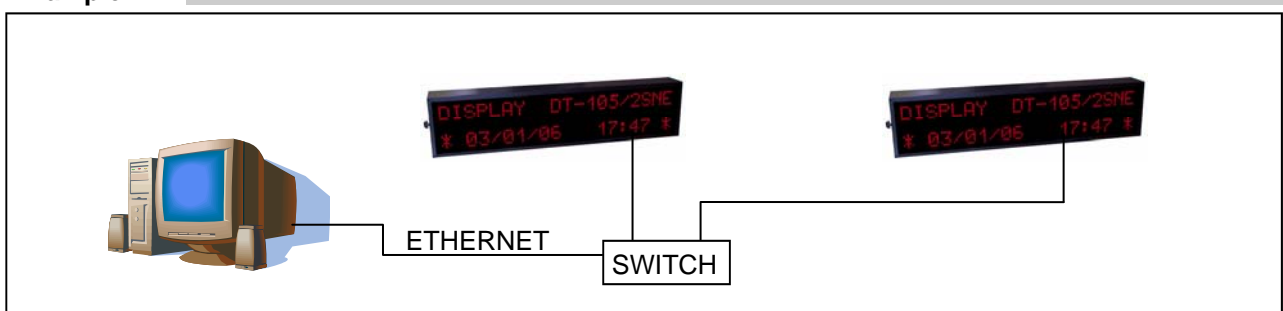
The DT-203NE,DT-105NE and DT-110NE must be controlled sending a message, whit the end of block, to display IP address. The display's answer may be selected.

Before to transmit the first block you must check the display parameters: Protocol, end of block and response message.

Reading the display's MAC code is possible with the parameters utility.

To assign the IP address, download the DeviceInstaller utility from the Lantronix web.

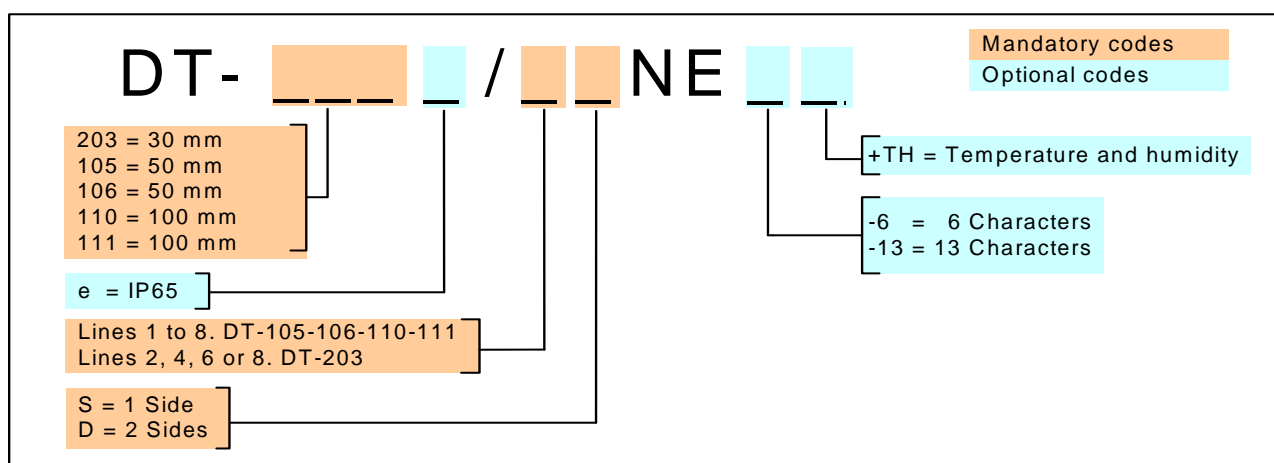
Example



Specifications

| Model | DT-203 | | DT-105 and DT-106 | | DT-110 and DT-111 | |
|---------------------------------|---|------------|--|----------------------------|--|----------------------------|
| n = Number of lines | DT203/nSNE | DT203/nDNE | DT-105/nSNE DT-106/nSNE | DT-105/nDNE DT-106/nDNE | DT-110/nSNE DT-111/nSNE | DT-110/nDNE DT-111/nDNE |
| Number of sides | 1 | 2 | 1 | 2 | 1 | 2 |
| Control | Ethernet TCP/IP, UDP and Modbus/TCP | | | | | |
| Connector | RJ-45 | | | | | |
| Number of lines | 2,4,6 or 8 lines | | 1 to 8 lines | | | |
| Character/line | 20 characters | | 6, 13 or 20 characters | | | |
| Display matrix | LED, 5 x 7 dot matrix | | | | | |
| Character height | 30mm | | 50mm | | 100mm | |
| Reading distance | 15 mètres | | 25 mètres | | 50 mètres | |
| Maximum environmental lighting | 1000 lux | | DT-105 = 1000 lux. DT-106 = Outdoor | | DT-110 = 1000 lux. DT-111 = Outdoor | |
| Power supply | 100VAC to 240VAC 50/60Hz | | | | | |
| Dimensions 1 line | Not available | | 985 x 118 x 120 mm | | 1886 x 165 x 120 mm | |
| Dimensions 2 lines | 615 x 170 x 120 mm | | 985 x 224 x 120 mm | | 1886 x 378 x 120 mm | |
| Dimensions 3 lines | Not available | | 985 x 330 x 120 mm | | 1886 x 591x 120 mm | |
| Dimensions 4 lines | 615 x 317 x 120 mm | | 985 x 436 x 120 mm | | 1886 x 805 x 120 mm | |
| Dimensions 5 lines | Not available | | 985 x 542 x 120 mm | | 1886 x 1018x 120 mm | |
| Dimensions 6 lines | 615 x 464 x 120 mm | | 985 x 648 x 120 mm | | 1886 x 1232 x 120 mm | |
| Dimensions 7 lines | Not available | | 985 x 754 x 120 mm | | 1886 x 1445 x 120 mm | |
| Dimensions 8 lines | 615 x 611 x 120 mm | | 985 x 860 x 120 mm | | 1886 x 1659 x 120 mm | |
| Dimensions 6 characters | Not available | | 375 x 118 x 120 mm | | 666 x 165 x 120 mm | |
| Dimensions 13 characters | Not available | | 680 x 118 x 120 mm | | 1276 x 165 x 120 mm | |
| Protection degree | IP-41 | | DT-105 = IP41 DT-106 = IP54 DT-105e = IP65 DT-106e = IP65 | | DT-110 = IP41 DT-111 = IP54 DT-110e = IP65 DT-111e = IP65 | |
| Max. number of messages | 512 messages | | | | | |
| Max. Length of the message | 160 characters | | | | | |
| Messages memory | EEPROM 32kB | | | | | |
| Case/display | Aluminium section in black. Display in extruded antireflex methacrilate | | | | | |
| Humidity + temperature accuracy | Temperature $\pm 0,5^{\circ}\text{C}$ at 25°C . Humidity $\pm 3,5\%$ between 30% and 70%. | | | | | |

Part number. (Details)



Examples:

DT-203/2SNE

2 lines, DT-203 series display, one face. Control Ethernet.

DT-105/3DNE+TH

3 lines, DT-105 series display, two faces. Control Ethernet and temperature and humidity option.