

DT-P SERIES

DT-203P

DT-105P

DT-106P

DT-110P

DT-111P



Message display from 1 to 6 lines.
 Characters of **30, 50 or 100mm** in height.
 One or two display sides.

Control by digital inputs PNP, NPN 24VDC

Characteristics

Message display designed to be used in industrial environment.

Real time clock: Seconds / Minutes / Hours / Days / Month / Year.
 It is adjustable by two push buttons. The clock is NiMH battery backup, which lasts approximately one month.

Option: Relative humidity and temperature sensor.

Perfect visibility

DT-203, DT-105 and DT-110 are big size displays. Red led colour display of 30, 50 or 100mm character height.

These features make them readable in almost any light environment from up to 15m(DT-203), 25m(DT-105) or 50m(DT-110). They are available in one or two displaying sides and from 1 to 6 lines.

Applications

To display any data from a PLC: Temperature, engine RPM, alarm messages.
 It can be connected to typical PLC relay or transistor outputs.

Message edition

Editing and saving messages on the display.

Messages are edited by PC with the TDLWin software. TDLWin may be downloaded from our web.

Recording messages.

Messages edited by PC are sent to display by serial line and the remain saved in a Eeprom memory. Batteries are not needed for message maintenance.

Operation

Message control

DT-P are run by PLC, with conventional digital outputs of any kind, NPN, PNP or contacts.

Protocol 512-M:

There are three different functions:

- Displaying a single message.
- Displaying all the linked messages in autonomous working order.
- Displaying multiple messages in memory.

The message are controlled by 14 inputs.

Each message needs a binary code. To control 512 messages 9 bits are needed.

Protocol 14M-1:

Each one of 14 inputs has a message associated. If more than one input is on all the linked messages are displayed.

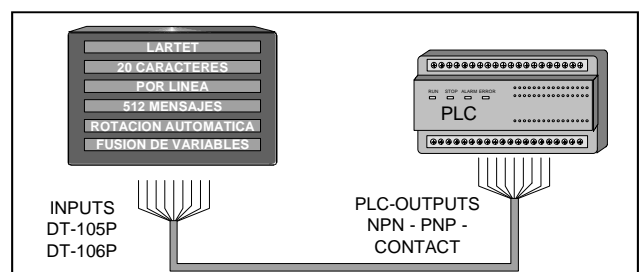
Protocol 14M-2:

Each one of 14 inputs has a message associated. If more than one input is on only the less significant message is displayed.

Variables.

With Protocol 512-M not only display texts, but also variables values. To work with variables it is necessary to use transistor PLC outputs.

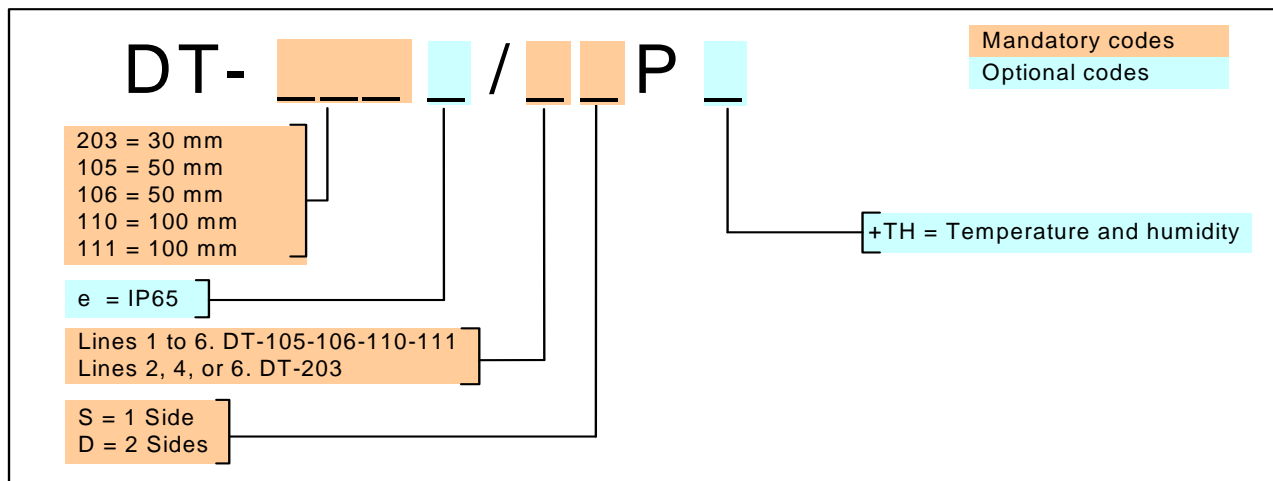
This protocol let insert from one variable of 16 characters to 16 variables of one character into each line of a message.



Specifications

Model	DT-203		DT-105 and DT-106		DT-110 and DT-111	
n = Number of lines	DT203/nSP	DT203/nDP	DT-105/nSP DT-106/nSP	DT-105/nDP DT-106/nDP	DT-110/nSP DT-111/nSP	DT-110/nDP DT-111/nDP
Number of sides	1	2	1	2	1	2
Control	NPN, PNP 24VDC					
Connector	DB25 plug					
Number of lines	2,4 or 6 lines			1 to 6 lines		
Character/line	20 characters					
Display matrix	LED, 5 x 7 dot matrix					
Character height	30mm		50mm		100mm	
Reading distance	15 mètres		25 mètres		50 mètres	
Maximum environmental lighting	1000 lux		DT-105 = 1000 lux. DT-106 = Outdoor		DT-110 = 1000 lux. DT-111 = Outdoor	
Power supply	100VAC to 240VAC 50/60Hz					
Dimensions 1 line	Not available		985 x 118 x 120 mm		1886 x 165 x 120 mm	
Dimensions 2 lines	615 x 170 x 120 mm		985 x 224 x 120 mm		1886 x 378 x 120 mm	
Dimensions 3 lines	Not available		985 x 330 x 120 mm		1886 x 591x 120 mm	
Dimensions 4 lines	615 x 317 x 120 mm		985 x 436 x 120 mm		1886 x 805 x 120 mm	
Dimensions 5 lines	Not available		985 x 542 x 120 mm		1886 x 1018x 120 mm	
Dimensions 6 lines	615 x 464 x 120 mm		985 x 648 x 120 mm		1886 x 1232 x 120 mm	
Dimensions 7 lines	Not available		985 x 754 x 120 mm		1886 x 1445 x 120 mm	
Dimensions 8 lines	615 x 611 x 120 mm		985 x 860 x 120 mm		1886 x 1659 x 120 mm	
Protection degree	IP-41		DT-105 = IP41 DT-106 = IP54 DT-105e = IP65 DT-106e = IP65		DT-110 = IP41 DT-111 = IP54 DT-110e = IP65 DT-111e = IP65	
Max. number of messages	512 messages					
Max. Length of the message	160 characters					
Messages memory	EEPROM 32kB					
Case/display	Aluminium section in black. Display in extruded antireflex methacrilate					
Humidity + temperature accuracy	Temperature $\pm 0,5^{\circ}\text{C}$ at 25°C . Humidity $\pm 3,5\%$ between 30% and 70%.					
Operating temperature range	0°C to 50°C					

Part number. (Details)



Examples:

DT-203/2SP

2 lines, DT-203 series display, one face. Control digital inputs

DT-105/3DP+TH

3 lines, DT-105 series display, two faces. Control digital inputs and temperature and humidity option.