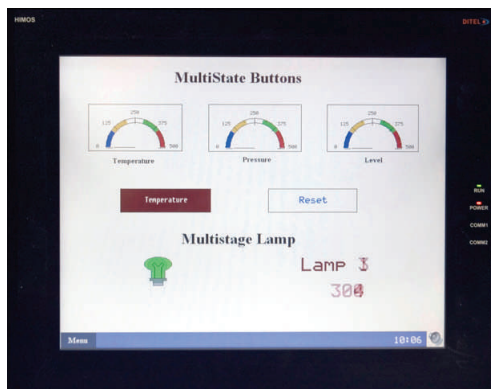


# HIMOS SERIES / HI1200 — HI1202



	HI1200/HI1202
DISPLAY	TFT CCFL 256 Colours
RESOLUTION	800 * 600 pixels
SCREEN SIZE	12.1"
TOUCH SCREEN	Analogue Resistive
POWER SUPPLY	24 V DC
DIMENSIONS	246 x 312 x 47 mm

## DESCRIPTION

HIMOS HI1200 and HI1202 operator interfaces provide man-machine interface for PLCs / Inverters. The user can implement PLC logic using standard ladder logic programming. The HIMOS unit has four high speed counters (25 kHz each), hundreds of timers and counters, thousands of internal coils, retentive and non retentive memory registers and PID functionality.

Can communicate with PLCs using its serial communication ports to fetch the information requested by the operator.

This information can be either the value of a PLC register or the status of an I/O, or whatever other PLC parameter available.

This information can be displayed on HI575/HI576 screen, and if required, the HMI can also modify the value of these PLC registers or parameters.

It is also possible to provide the HMI with I/O, either analogue or digital, thanks to remote I/O modules available for the HIMOS Series.

HI1200 has 2 serial communication ports, and HI1202 has also 2 serial communication ports plus 1 Ethernet port and 1 USB port. Direct connection to Modbus RTU protocol and other opened protocols and to most of PLCs. They can communicate with two different PLCs simultaneously.

PLC task can be executed on power up, during continuous scanning, when a specific screen is showing, or when a specific wizard event occurs. Allows local or global assignation of keys to macros for key processes. Development tool *HIMOSOFT*, valid for all the HIMOS Series, is available (free download) on our website [www.ditel.es](http://www.ditel.es).

## OPERATION

The Microsoft Windows® based configuration software, *HIMOSOFT*, helps user to configure HIMOS unit.

'Configuration' means making the HIMOS unit work as per the system requirements. For example, HIMOS can be configured to be used with any PLC, display any register data, perform any controlling action depending on optional digital or analog inputs.

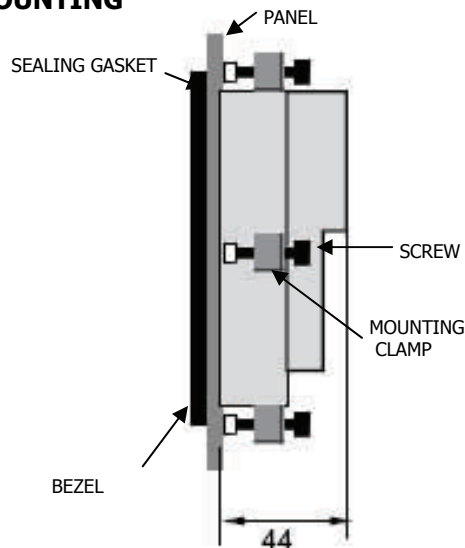
HIMOS Keys can be configured to realize different tasks as for example execution of a ladder program, activate/deactivate coils or outputs, operations between registers control of a process changing value of a PLC registers.

Alarms can be defined to constantly monitor any register. When alarm condition is reached, the respective alarm is displayed in alarm window.

Screens can be controlled by any system register or PLC register. Real Time Clock can be modified during normal operation. Tasks can be defined to realize these operations.

HI1200 and HI1202 models have Data Logging capacity (HI1202 has a slot for Compact Flash cards up to 256 Mb), and like all HIMOS models also feature Real Time and Historical Trending

## MOUNTING



PANEL CUTOUT: 295X 227 mm ±0.5 mm

# HIMOS SERIES / HI1200 — HI1202

## GENERAL TECHNICAL CHARACTERISTICS

POWER SUPPLY		
Voltage rating	24 V DC $\pm$ 10%	
Power rating	20 W Max.	
MEMORY		
Total Memory	32 Mb	
Application Memory	25 Mb	
Ladder Memory	2 Mb	
Compact Flash	256 Mb (only for HI1202)	
Data Registers	1000	
Retentive Registers	1400	
System Registers	64	
System Coils	100	
Internal Coils	5000	
Input Coils	100	
Output Coils	100	
Internal Registers	313	
Input Registers	7	
Output Registers	7	
Timer Registers	128	
Counter Registers	178	
DISPLAY		
Type	TFT CCFL 256 Colours	
Resolution	800 * 600 pixels	
Size	12.1"	
Touch Screen	Analogue Resistive	
COMMUNICATION		
Number of Ports	HI1200	2
	HI1202	4
Type	HI1200	RS232/RS485/RS422/CMOS
	HI1202	RS232/RS485/RS422/CMOS/ ETHERNET/USB

MISCELLANEOUS	
Battery	Coin Type, 3v Lithium 614-CR-1225FH
Battery Backup	Min. 5 years for RTC and System Data
Operating Temperature	0° a 50 °C
Storage Temperature	-25° a 80 °C
Mounting Method	Panel Mounting
Clock (RTC)	Real Time Function (Date & Time)
Humidity	10% to 90% (Non condensed)
Immunity to ESD	Level 3 (IEC1000-4-2)
Immunity to transients	Level 3 (IEC1000-4-4)
Immunity to Radiated RF	Level 3 (IEC1000-4-3)
Immunity to conducted RF	Level 3 (IEC1000-4-6)
Emission	EN55011 CISPR-A
Front Panel Protection	IP65



### Diseños y Tecnología S.A.

C/ Xarol 8-C P.I. Les Guixeres  
08915 Badalona - Spain

Tel. +34 933 394 758 / Fax. +34 934 903 145

Email: [dtl@ditel.es](mailto:dtl@ditel.es)

Web: [www.ditel.es](http://www.ditel.es)