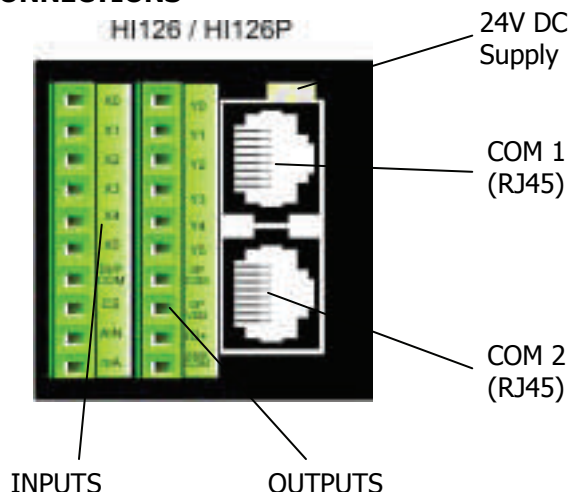


# HIMOS SERIES / HI126P — HI126



## CONNECTIONS



## MODEL

	HI126P/HI126
DISPLAY	128x64 pixel (1,25") Monochrome graphical
KEYS / LEDS	8 / 0
DIGITAL INPUTS	6
DIGITAL OUTPUTS	6
RELAYS OUTPUTS	-
ANALOGUE INPUTS	1 (mV/mA/TC-RTD)
ANALOGUE OUPUTS	1 (4-20mA)
DIMENSIONS	48 x 48 x 74 mm

## OPERATION

The Microsoft Windows® based configuration software, *HIMOSOFT*, helps user to configure HIMOS unit. 'Configuration' means making the HIMOS unit work as per the system requirements. For example, HIMOS can be configured to be used with any PLC, display any register data, perform any controlling action depending on digital or analog inputs.

HIMOS Keys can be configured to realize different tasks as for example execution of a ladder program, activate/deactivate coils or outputs, operations between registers, etc.

Alarms can be defined to constantly monitor any register. When alarm condition is reached, the respective alarm is displayed in alarm window.

Screens can be controlled by any system register. Tasks can be defined to realize these operations.

## DESCRIPTION

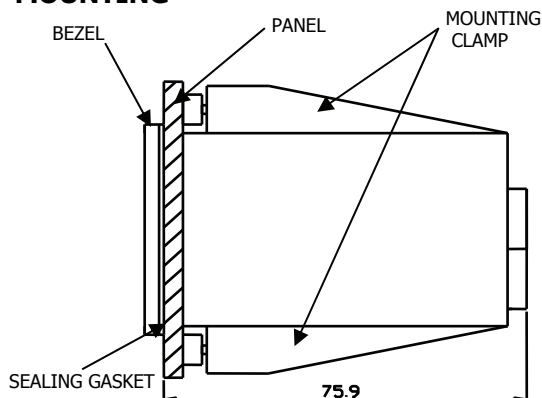
The HIMOS unit has both HMI capabilities as well as programmable logic features. The user can implement PLC logic using standard ladder logic programming. The HIMOS unit has four high speed counters (25 kHz each), hundreds of timers and counters, thousands of internal coils, retentive and non retentive memory registers and PID functionality.

HI126 model has 6 digital inputs, 6 digital outputs as well as 1 analogue input and 1 analogue output. The number of I/O can also be expanded through the use of remote I/O modules.

HI126 has 2 serial communication ports. Direct connection to Modbus RTU protocol and other opened protocols and to most of PLC's. They can communicate with two different PLC's simultaneously.

PLC task can be executed on power up, during continuous scanning, when a specific screen is showing, or when a specific wizard event occurs. Allows local or global assignation of keys to macros for key processes. Development tool *HIMOSOFT*, valid for all the HIMOS Series, is available (free download) on our website [www.ditel.es](http://www.ditel.es).

## MOUNTING



PANEL CUTOUT: 45 X 45 mm ±0.5 mm

# HIMOS SERIES / HI126P — HI126

## GENERAL TECHNICAL CHARACTERISTICS

HIGH SPEED COUNTERS	
Number of Counters	4
Resolution	32 bit
Maximum Frequency	25kHz @ 24V DC
Minimum Pulse	20 microseconds
DIGITAL INPUTS	
Input Voltage	24V DC (28V Max.)
Input Impedance	Normal: 4K7 $\Omega$ @ 24V DC High Sp.: 2K3 $\Omega$ @ 24 V DC
Logic "0" Voltage	0 a 4 V
Logic "1" Voltage	14 a 28V
Input Current (@24V)	Normal: 4,89 mA High Speed: 10 mA
DIGITAL OUTPUTS	
Outputs type <b>NPN (HI126)</b>	Open Collector
Output Current	300 mA
On Voltage Drop	0,4 V DC
Outputs type <b>PNP (HI126P)</b>	Open Collector
Output Current	300 mA
On Voltage Drop	0,4 V DC
ANALOGUE INPUTS (mV, mA, Pt100, TC)	
Resolution	12 bit
Ranges	V: 0—50mV, 0—100mV A: 0—20mA, 4—20mA RTD: 3 hilos RTD TC: B, R, S, E, J, K, N y T
ANALOGUE OUTPUTS	
Output type	4—20mA
Resolution	12 bit
DISPLAY	
Type	Monochrome graphical Backlit LCD 128 x 64 píxel (1,25")
COMMUNICATION	
Number of Ports	2
Type	RS232/RS485/RS422/CMOS
MEMORY	
Total Memory	512 kB
Application Memory	120 kB
Ladder Memory	62 kB

Data Registers	1000
Retentive Registers	1400
System Registers	64
System Coils	100
Internal Coils	5000
Input Coils	100
Output Coils	100
Internal Registers	313
Input Registers	7
Output Registers	7
Timer Registers	128
Counter Registers	178
POWER SUPPLY	
Voltage Rating	24V DC $\pm$ 10%, 3W Max
MISCELLANEOUS	
Battery	Coin Type, 3v Lithium 614-CR-1225FH
Battery Backup	Min. 5 years for RTC and System Data
Operating Temperature	0° a 50 °C
Storage Temperature	-25° a 80 °C
Mounting Method	Panel Mounting
Clock (RTC)	Real Time Function (Date & Time)
Humidity	10% to 90% (Non condensed)
Immunity to ESD	Level 3 (IEC1000-4-2)
Immunity to transients	Level 3 (IEC1000-4-4)
Immunity to Radiated RF	Level 3 (IEC1000-4-3)
Immunity to conducted RF	Level 3 (IEC1000-4-6)
Emission	EN55011 CISPR-A
Front Panel Protection	IP65



**Diseños y Tecnología S.A.**

C/ Xarol 8-C P.I. Les Guixeres  
08915 Badalona - Spain

Tel. +34 933 394 758 / Fax. +34 934 903 145

Email: dtl@ditel.es

Web: [www.ditel.es](http://www.ditel.es)