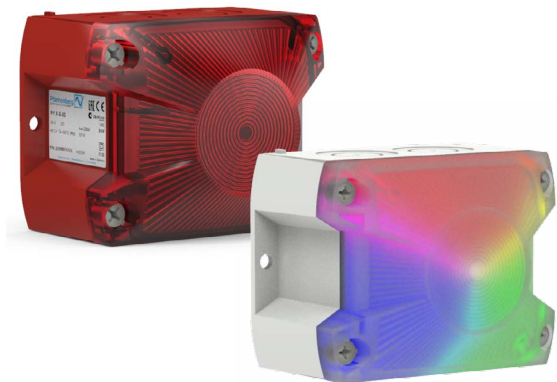


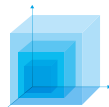
PYRA® COMPACT MULTIFUNCTIONAL LED LIGHT PY L-S / PY L-S RGB




Most flexible, ultra bright RGB multi colour or single colour LED technology

- Selectable signaling modes: continuous-, blinking- and flashing-light
- Selectable Colour (RGB version only) PYRA® LED RGB permits to choose the colour you require. Stay flexible and keep your stock to a minimum!
- External colour & mode control (RGB version only) with PYRA® LED RGB you can state several situations with only one light. Change colour and mode easily by remote control!
- Selectable blink & flash frequencies - Adaptable to all your applications - select the frequency your gadget requires and boost the perceptibility.
- Multi-voltage-power supply - Plug and play PYRA® LED adapts to most machines and applications no matter the voltage!
- Panel mount installation - Flat, smart, discrete, clean and 360° visible - fully integrable into the design of your machine and equipment!

 multi colour LED (option)	 protection system	 impact-proof housing	 operating temperature +55 °C -40 °C	 brightness adjustable	 warranty	 EurAsian Conformity	 protection system	 UL approval (pending)	 connector (option)
--	--	---	--	--	---	--	---	--	---

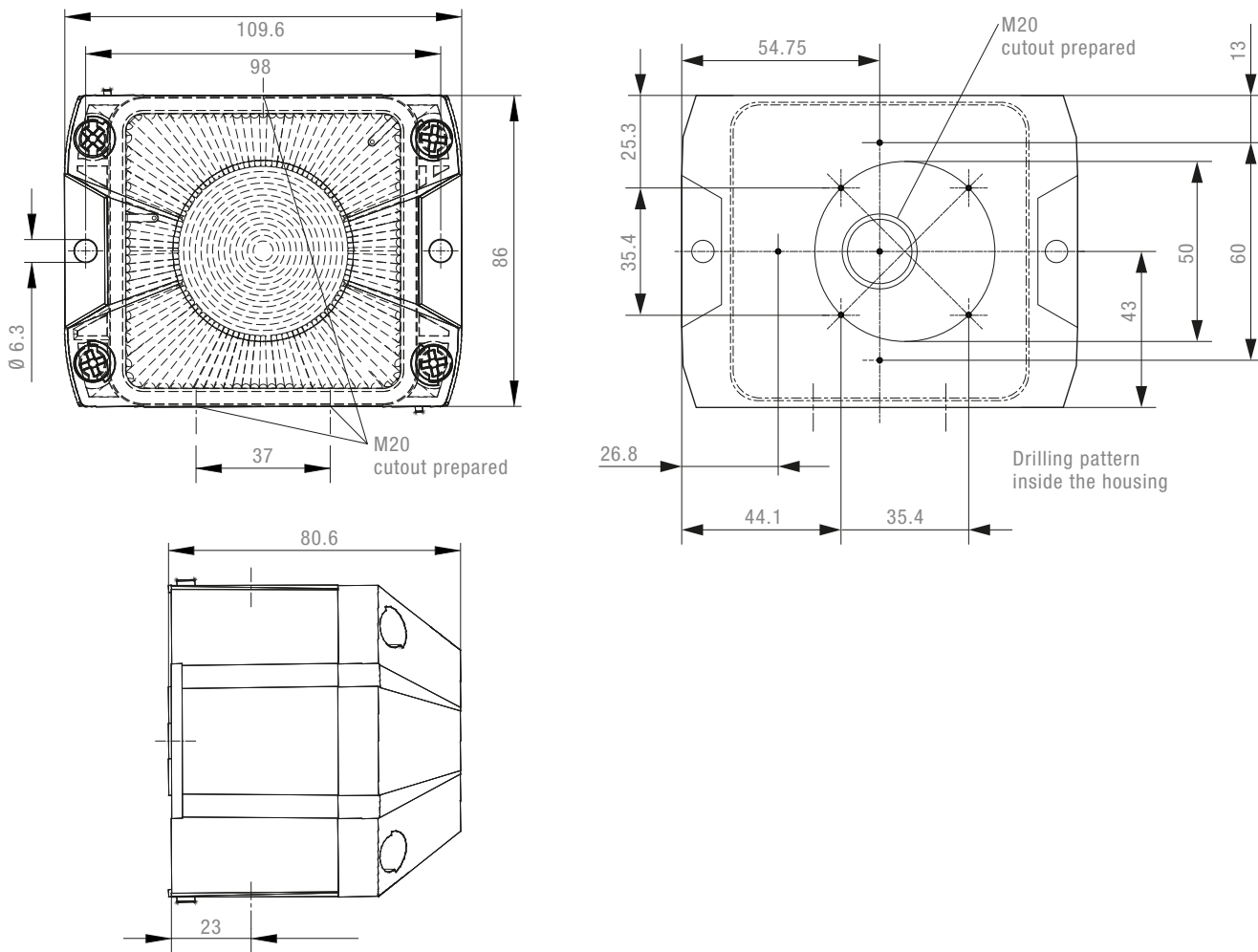
3D-COVERAGE PERFORMANCE DATA	PY L-S	PY L-S RGB
	Indicate 35.1 x 14.9 x 14.2 m	17.1 x 14 x 13.5 m
	Warn 15.6 x 6.6 x 6.4 m	7.6 x 6.2 x 6 m
	Alarm 7.8 x 3.3 x 3.2 m	3.8 x 3.1 x 3 m

To determine the exact signalling area for your needs, please use the online available Pfannenbergs Sizing Software PSS.

PRODUCT	PY L-S / PY L-S RGB			
DATA				
Rated voltage	115 / 230 V AC 50 60 Hz / DC	120 V DC -	24 V AC 50 / 60 Hz	12-48 V DC -
Operating range	95-265 V	108-132 V	21.6-26.4 V	11-60 V
Current consumption (@ 1 Hz flash)	36 mA @ 230 V AC	25 mA @ 120 V DC	167 mA @ 24 V AC	120 mA @ 24 V DC
Operating mode internally and externally selectable (DC)	continuous light / blinking light / flashing light			
Light alternation frequency	blinking light 1 Hz / 2 Hz flashing light 0.1 Hz / 0.5 Hz / 0.75 Hz / 1 Hz / 2 Hz			
Light source	one high output LED			
Light intensity (DIN 5037) ¹	76 cd (reducible)			
Max. viewing distance	202 m			
Operating temperature	-40 °C ... +55 °C			
Storage temperature	-40 °C ... +70 °C			
Installation position	any			
Degree of protection	IP 66 (EN 60529), NEMA TYPE 4/4X, IK 08 (EN 50102)			
Service life of the light source	≥50,000 hrs			
Material	lens:  polycarbonate (PC)			
	housing: PC / ABS blend			
Cable entry	4 x M20 pre-embossed			
Connecting terminal	0.14 - 2.5 mm ² fine stranded			
Weight	265 g			

¹ with a clear lens

DIMENSIONS



ARTICLE NO.		PY L-S / PY L-S RGB	
HOUSING COLOUR	LIGHT / LENS COLOUR	115 / 230 V AC; 120 V DC	12-48 V DC
●	● / ●	21513648055	21513818055
●	●	21513643055	21513813055
●	●	21513644055	21513814055
●	●	21513645055	21513815055
●	●	21513646055	21513816055

Article numbers for other colours and voltages on request.

OPTIONS / ACCESORIES	
Sealing plug, 4-pack	28300000002
Spare locking bolt, 4-pack	28912000000
Surface seal	28300000004
Control panel installation kit PY L-S	28112000042
Control panel installation kit PY L-S RGB	28112000043

Version with M12 connection on request

CONFORMITY TO STANDARDS

The visual characteristics of flashing lights conform to the European standard DIN EN 842; "Machine safety – visual alarm signals". Requirements contained in the DIN EN 981 standard; "Machine safety – system of acoustic and visual alarm and information signals", can be fulfilled.

The colours "red" for the emergency signal and "yellow" for the warning signal conform to the requirements of IEC 73 / DIN EN 60073 / VDE 0199; "Coding of display devices and control elements using colours and supplementary means".

References to visual alarm devices can be found in the following standards:

EN 60825-1	Radiation safety of laser devices, identical to IEC 825 and DIN-VDE 0837
DIN EN 54	Fire alarm systems
DIN 54113-2	Radiation protection regulations for the technical operation of X-ray equipment up to 500 kV