



KOS1200

(4 to 20) mA Isolating Signal Splitter



DISEÑOS Y TECNOLOGIA S.A., XAROL, 6B, P.I. Les Guixeres, 08915 Badalona

Web Page: www.ditel.es, Email: dtl@ditel.es

Technical Support: support@ditel.es

Tel: +34 933 394 758 Fax: +34 934 903 145

INDEX

SECTION	CONTENTS	PAGE NO.
1.0	DESCRIPTION	1
2.0	SPECIFICATION	1
3.0	INSTALLATION	2
4.0	OPERATION	3
5.0	CALIBRATION	3
6.0	MECHANICAL	3

1.0 DESCRIPTION

The KOS1200 isolator is a dual output isolator, providing two separate isolated (4 to 20) mA current signals from a primary loop. The output loops must be powered externally.

2.0 SPECIFICATIONS

2.1 INPUT

Type	Current input 2 wire Loop powered
Range	(4 to 20) mA (30 mA max.)
Protection	Reverse connection
Voltage Drop	5.0 V max.

2.2 OUTPUT 1 & OUTPUT 2

Type	2 wire current sink (4 to 20) mA
Loop Voltage	(5 to 32) VDC (reverse protected)*
Loop volt drop = 5 V	Load = 900 Ω @ $V_s=24$ V Load = 1200 Ω @ $V_s=30$ V

Loop must be > 250 Ω for ambients > 50 °C

* Quoted specification at 15 V

2.3 GENERAL SPECIFICATION @20°C

V OUT	< 15 V
Isolation	500 VAC (flash tested @ 1 kV) between each port (Isolation method, opto coupler/transformer)
Environment	BS EN61010-1 Pollution Degree 2; Installation CAT II; CLASS I
Ambient	(0 to 70) °C; (10 to 95) % RH non condensing
Linearity	0.05 %
Stability	0.01 %/°C
Response Time	Less than 100 ms to reach 70 % of final value.
EMC Tested to	IEC 801-2 Susceptibility to E.S.D. IEC 801-3 Radiated susceptibility IEC 801-4 Susceptibility to conducted interference EN 55022 Radiated emissions
Connection	Captive clamp screws
Cable Size	Maximum 4 mm ² solid/2.5 mm ² stranded
Case Material	Grey Polyamide
Flammability	To UL94-VO VDE 0304 Part 3, Level IIIA
Dimensions	Case C: (60 x 75 x 12.5) mm (67.5 mm above rail)
Mounting	Snap on "Top Hat" rail (DIN EN 50022-35)
Adjustment	Front Entry Fine Zero and Span Adjustment for each channel

3.0 INSTALLATION

3.1 MECHANICAL

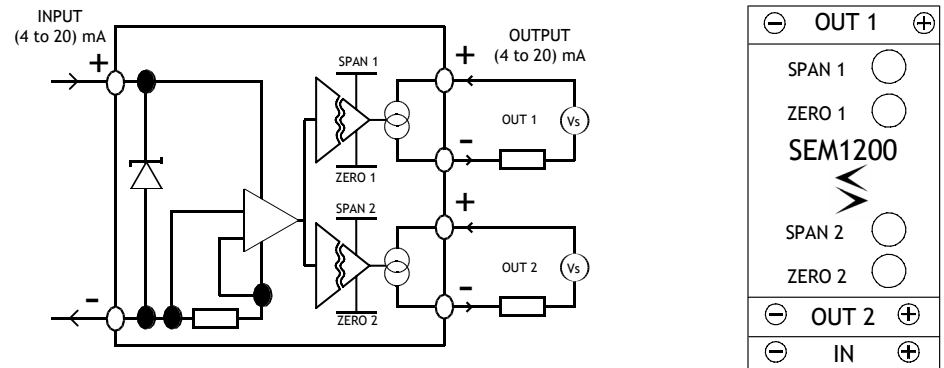
This isolator is designed to be housed within a suitable enclosure that will provide protection from the external environment, and ensure the stated temperature and humidity ranges are not exceeded. The isolator case is designed to snap fit onto a standard "Top Hat" DIN rail. The isolator may be removed if required by applying pressure with one hand, to the bottom face of the enclosure, in a direction parallel with the DIN rail and at the same time gripping the top of the isolator and pulling away from the rail. The isolator may be mounted in any orientation and stacked side by side along the rail.

3.2 ELECTRICAL

Connections to the isolator are made via screw terminals. Wire protector plates are provided inside each terminal. To maintain compliance twisted pair (screened) cables are recommended. It is also good practice to ensure that all (4 to 20) mA loops are grounded at a single point in the loop. Before installation, care must be taken to ensure enough voltage is available in the loop to drive the total loop load. Refer to the specifications listed above for the loop drop voltage. The 1200 in most applications, requires separate supplies for the secondary loops, these may be provided from separate power supplies or from the instrument monitoring the output loop.

Refer to the SEM1000 series data sheet for further information on applications of this series of isolators. Please note the isolation provided by this device is only suitable for providing isolation between two process signals and therefore must not be used to provide isolation from hazardous voltages, such as mains supplies.

Figure 1



4.0 OPERATION

This isolator requires no user adjustment during commissioning, apart from an initial test, to ensure it operates correctly over its full working range. Minor adjustments can be made to the calibration of the device by means of the two front panel accessible calibration potentiometers. Incorrect connection in the loop will not damage the device as long as the specified maximum currents/voltages are not exceeded. If the isolator fails to operate, check loop for bad connections. Ensure enough voltage is available in the loop to power the isolator. In the unlikely event of the isolator not working, it should be returned to the supplier for repair or replacement.

5.0 CALIBRATION

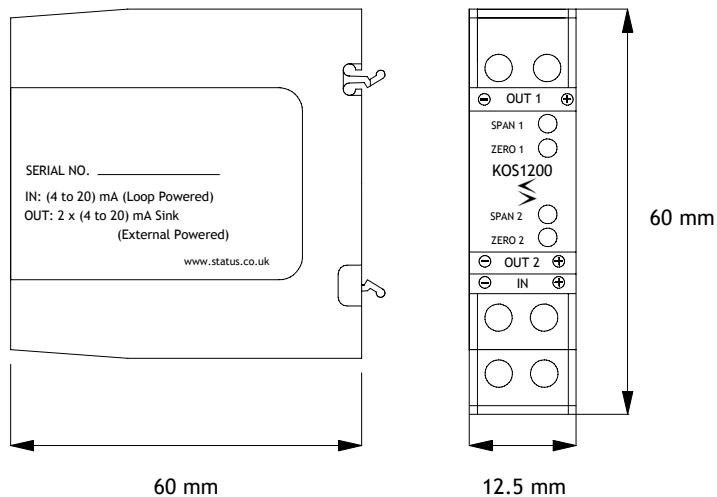
1. Connect a precision current calibrator to the input, and a precision current meter in series with output loop 1*1. Power output loop with 24 V supply.
2. Inject 4.000 mA \pm 0.001 mA into the input and adjust ZERO 1 potentiometer for 4.000 mA \pm 0.001 mA output*2.
3. Inject 20.000 mA \pm 0.001 mA into the input and adjust SPAN 1 potentiometer for 20.000 mA \pm 0.001 mA output*2.
4. Repeat Steps 2 and 3 until both points are in calibration.
5. Repeat Steps 1 to 3 with connection to out 2 and adjusting ZERO 2 and SPAN 2.

*NOTES:

1. Current calibrator must be capable of driving the expected loop drop.
2. Please note that the reading accuracies quoted in 2 and 3 above are absolute values and do not include test equipment tolerances.

6.0 MECHANICAL DETAIL

Figure 2



ALSO AVAILABLE:

- Smart In Head Temperature Transmitters
- DIN Rail Mounted Temperature Transmitters
- Panel & Field Temperature Indicators
- Temperature Probes
- Trip Amplifiers
- Signal Conditioners
- And many other products

For further information on all products:



DISEÑOS Y TECNOLOGIA S.A., XAROL, 6B, P.I. Les Guixeres, 08915 Badalona

Web Page: www.ditel.es, Email: dti@ditel.es

Technical Support: support@ditel.es

Tel: +34 933 394 758 Fax: +34 934 903 145